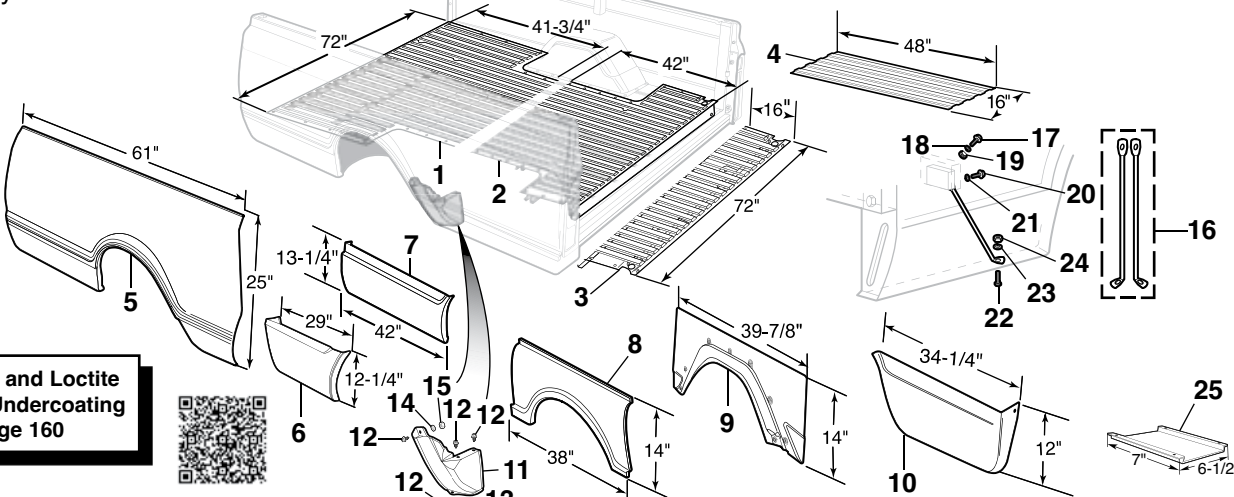


Fleetside Bed Patch Panels

1967-72 Chevy & GMC Truck • 1/2 Ton 3/4 Ton 1 Ton

-T after a part number means that part must be shipped Truck Freight. An additional \$150.00 will be charged to your order for delivery in the 48 contiguous United States. Orders outside of the 48 states will be quoted. Additional delivery time required.



Seam Sealer and Loctite Rubberized Undercoating See Page 160



STL = Steel

PART	ILL#	DESCRIPTION	APPLICATION	REQD	PRICE
38-9622-T	(1)	FLOOR PANEL-FRONT	SHORTBED 67-72	(1)	\$199.95
38-9623-T	(2)	FLOOR PANEL-REAR	SHORTBED 67-72	(1)	\$202.95
38-9628	(3)	BED REPAIR PANEL-REAR	FLEETSIDE 67-72	(1)	\$119.95**
38-9596	(4)	BED FLOOR REPAIR PANEL	FLEETSIDE 67-72 (AR)	(1)	\$32.95
38-7248	(5)	EXTENDED WHL ARCH PANEL-LH	FLEETSIDE 67-72	(1)	\$174.95*
38-7249	(5)	EXTENDED WHL ARCH PANEL-RH	FLEETSIDE 67-72	(1)	\$174.95*
38-7724	(6)	LOWER FRONT PANEL-LH	SHORTBED 67-72	(1)	\$86.45
38-7725	(6)	LOWER FRONT PANEL-RH	SHORTBED 67-72	(1)	\$86.45
38-7272	(7)	LOWER FRONT PANEL-LH	LongBED 67-72	(1)	\$24.95
38-7273	(7)	LOWER FRONT PANEL-RH	LongBED 67-72	(1)	\$19.95
38-7270	(8)	WHEEL ARCH PANEL-LH	FLEETSIDE 67-72	(1)	\$24.95
38-7271	(8)	WHEEL ARCH PANEL-RH	FLEETSIDE 67-72	(1)	\$29.95
38-7608	(9)	WHEEL ARCH PANEL-INNER-LH	FLEETSIDE 67-72	(1)	\$109.95
38-7609	(9)	WHEEL ARCH PANEL-INNER-RH	FLEETSIDE 67-72	(1)	\$109.95

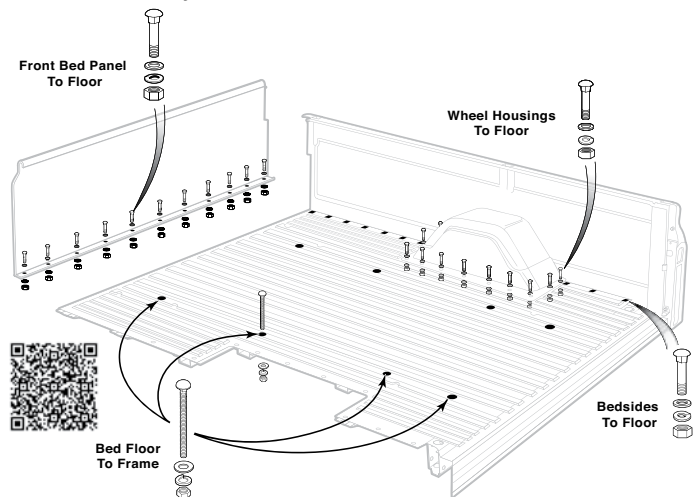
* Or ** after the sell price means your order will incur an Oversize Part Charge for each oversized part. * Means extra charge will be \$20. ** Means extra charge will be \$50. Due to packing and/or transportation requirements, please allow additional time for delivery. Oversized Parts are not available for air delivery.

PART	ILL#	DESCRIPTION	APPLICATION	REQD	PRICE	
38-7274	(10)	LOWER REAR PANEL-LH	LongBED 67-72	(1)	\$23.95	
38-7275	(10)	LOWER REAR PANEL-RH	LongBED 67-72	(1)	\$23.95	
38-7616	(11)	SPLASH SHIELD-INNER-LH "A"	FLEETSIDE 67-72	(1)	\$29.95	
38-7617	(11)	SPLASH SHIELD-INNER-RH "A"	FLEETSIDE 67-72	(1)	\$29.95	
30-0230	(12)	BOLT W/WASHER	FLEETSIDE 67-72	(8)	\$1.25	
30-0921	(13)	U-NUT	FLEETSIDE 67-72	(2)	\$1.25	
30-0626	(14)	LOCK WASHER	FLEETSIDE 67-72	(2)	\$.65	
30-0845	(15)	HEX NUT	FLEETSIDE 67-72	(2)	\$.85	
38-7377	(16)	REAR FENDER BRACE SET-STL	FLEETSIDE 67-72	(1)	\$17.95	
30-0260	(17)	BOLT-BRACE	WOOD BED	FLEETSIDE 67-72	(2)	\$.95
30-0626	(18)	LOCK WASHER	WOOD BED	FLEETSIDE 67-72	(2)	\$.65
30-0845	(19)	NUT	WOOD BED	FLEETSIDE 67-72	(2)	\$.85
30-0553	(20)	SCREW-BRACE	STEEL BED	FLEETSIDE 67-72	(2)	\$.85
30-0626	(21)	LOCK WASHER	STEEL BED	FLEETSIDE 67-72	(2)	\$.65
30-0230	(22)	BOLT-BRACE	STEEL BED	FLEETSIDE 67-72	(2)	\$1.25
30-0626	(23)	LOCK WASHER	FLEETSIDE 67-72	(2)	\$.65	
30-0845	(24)	NUT	FLEETSIDE 67-72	(2)	\$.85	
38-6820	(25)	EXHAUST HEAT SHIELD	FLEETSIDE 67-72	(1)	\$9.95	

Note: "A" Fits original GM bedsides only.

Fleetside Steel Bed Floor Hardware

1967-72 Chevy & GMC Truck • 1/2 Ton 3/4 Ton 1 Ton

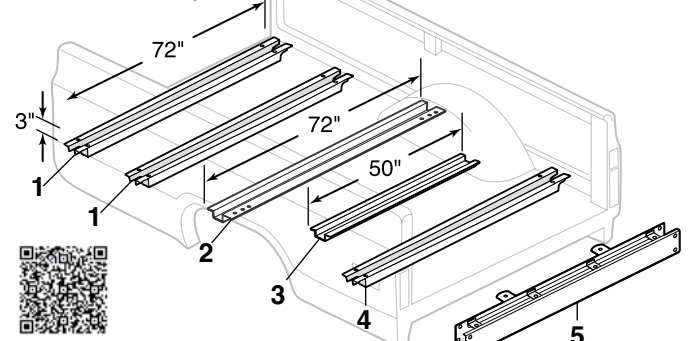


Bed Floor Hardware Kit includes the hardware to attach the front bed panel, bedsides and the wheel housings to the bed floor. Bed to frame mounting kit is also included. Fits trucks with stock wheel housings only. 1 kit required per vehicle.

PART	DESCRIPTION	APPLICATION	REQD	PRICE
30-0771	BED FLOOR HARDWARE KIT-272PC	SHORTBED 67-72	(1)	\$29.95
30-1171	BED FLOOR HARDWARE KIT-364PC	LongBED 67-72	(1)	\$44.95

Fleetside Steel Bed Components

1967-72 Chevy & GMC Truck • 1/2 Ton 3/4 Ton 1 Ton



PART	ILL#	DESCRIPTION	APPLICATION	REQD	PRICE
38-7348	(1)	CROSS SILL-FRONT "A" 1/2T 3/4T	SHORTBED 67-72	(1)	\$38.95*
38-7348	(1)	CROSS SILL-FRONT "A"	LongBED 67-72	(1)	\$38.95*
38-7392	(2)	REINFORCEMENT STRIP-FRONT	67-72	(1)	\$39.95*
38-7393	(3)	REINFORCEMENT STRIP-REAR	67-72	(1)	\$29.95
38-7348	(4)	CROSS SILL-REAR "A" 1/2T 3/4T	SHORTBED 67-72	(1)	\$38.95*
38-7348	(4)	CROSS SILL-REAR "A"	LongBED 67-72	(1)	\$38.95*
38-7975	(5)	TAIL PAN-COMPLETE	67-72	(1)	\$74.45*

Note: "A" Without bolt holes. Drill holes as required.

* Or ** after the sell price means your order will incur an Oversize Part Charge for each oversized part. * Means extra charge will be \$20. ** Means extra charge will be \$50. Due to packing and/or transportation requirements, please allow additional time for delivery. Oversized Parts are not available for air delivery.