

Steel Body Panels and What to Expect

All sheet metal is inspected before it is shipped and careful steps are taken to package parts so there is no damage during shipping. Due to the nature of the product, sheet metal is easily damaged and scratches, dents, dings and other imperfections are normal and not considered damaged. These kinds of imperfections should be expected and can be easily fixed during installation and the paint preparation, sanding and priming stages of your restoration. It is recommended you inspect all sheet metal that is delivered before the delivery driver leaves. Test fitting of all panels before installation is recommended and the use of alignment shims and other adjustments during the install may be required.

-T after a part number means that part must be shipped Truck Freight. An additional \$150.00 will be charged to your order for delivery in the 48 contiguous United States. Orders outside of the 48 states will be quoted. Additional delivery time required.

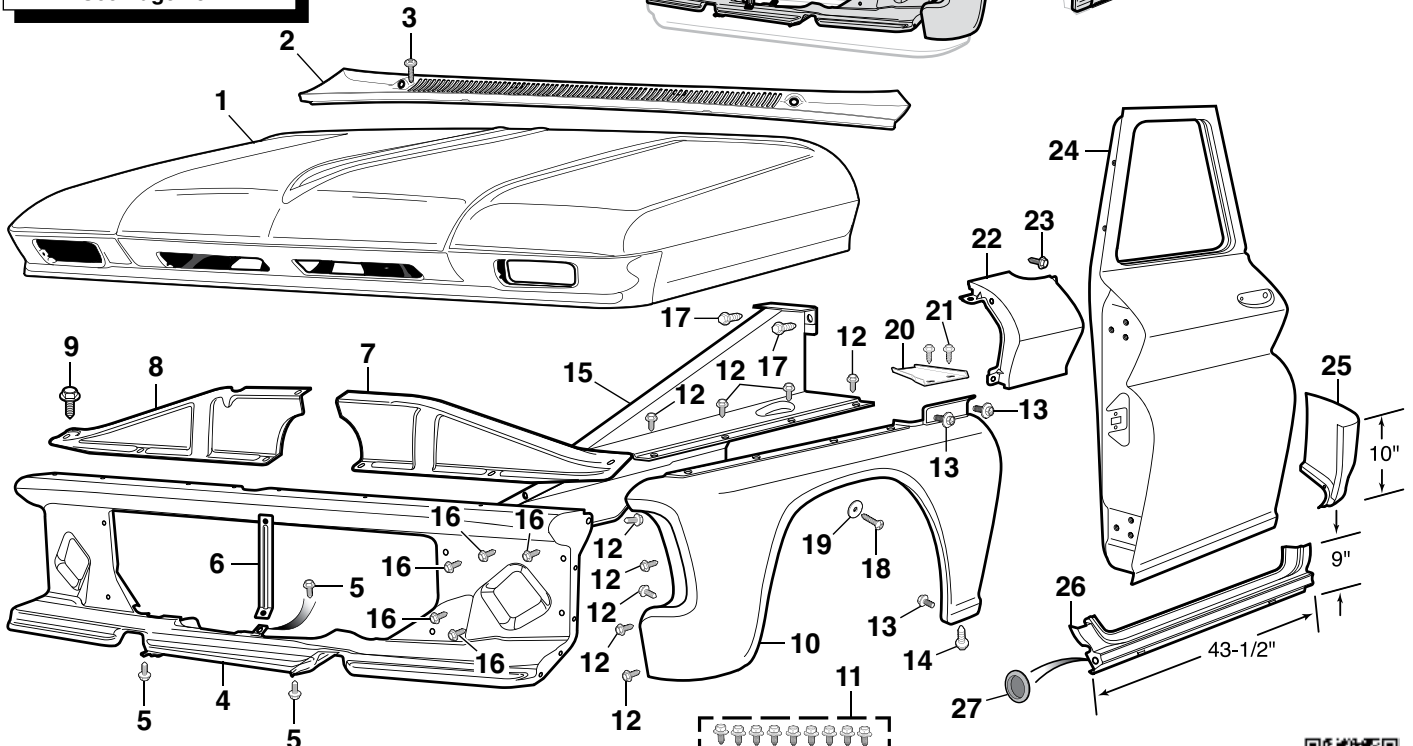
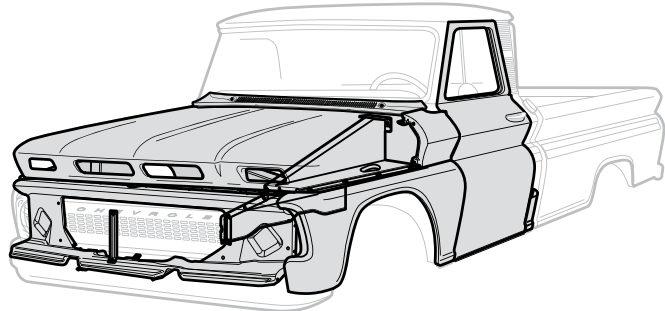
* Or ** after the sell price means your order will incur an Oversize Part Charge for each oversized part. * Means extra charge will be \$20. ** Means extra charge will be \$50. Due to packing and/or transportation requirements, please allow additional time for delivery. Oversized Parts are not available for air delivery.

Front Steel Body Parts

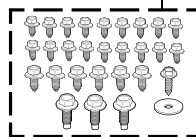
1960-66 Chevy & GMC Truck

Door Edge and Threshold Protection Film
See Page 24

Seam Sealer and Loctite
Rubberized Undercoating
See Page 102



| PART | ILL# | DESCRIPTION | APPLICATION | REQD | PRICE |
|-----------|------|-----------------------------|---------------------|------|-----------|
| 38-9196-T | (1) | HOOD-STEEL | CHEVY GMC 62-66 | (1) | \$999.95 |
| 38-8969 | (2) | COWL PANEL | CHEVY GMC 60-66 | (1) | \$192.45 |
| 40-0522-C | (3) | SCREW-COWL PANEL | CHEVY GMC 60-66 | (7) | \$.65 |
| 38-3838 | (4) | GRILLE SUPPORT PANEL | CHEVY GMC 60-63 | (1) | \$379.95* |
| 38-3849 | | GRILLE SUPPORT PANEL | CHEVY GMC 64-66 | (1) | \$299.95* |
| 30-0230 | (5) | BOLT-SUPPORT | CHEVY GMC 60-66 | (5) | \$1.25 |
| 30-3661 | (6) | GRILLE SUPPORT-CENTER BRACE | CHEVY GMC 64-66 | (1) | \$16.95 |
| 38-9156 | (7) | UPPER RAD SUPPORT BRACE-LH | CHROME 60-66 | (1) | \$69.95 |
| 38-9157 | (8) | UPPER RAD SUPPORT BRACE-RH | CHROME 60-66 | (1) | \$69.95 |
| 38-9088 | | UPPER RAD SUPPORT BRACE-LH | PRIMED 60-66 | (1) | \$47.95 |
| 38-9089 | | UPPER RAD SUPPORT BRACE-RH | PRIMED 60-66 | (1) | \$47.95 |
| 30-1058 | (9) | BOLT-CHROME | CHEVY GMC 60-66 | (10) | \$3.95 |
| 30-0230 | | BOLT-BLACK | CHEVY GMC 60-66 | (10) | \$1.25 |
| 38-9082-T | (10) | FRONT FENDER-LH | "A" CHEVY GMC 60-66 | (1) | \$179.95 |
| 38-9083-T | | FRONT FENDER-RH | "A" CHEVY GMC 60-66 | (1) | \$179.95 |
| 30-1136 | (11) | FENDER HARDWARE KIT-29PC | CHEVY GMC 60-66 | (2) | \$32.95 |
| 30-0230 | (12) | BOLT-FRONT FENDER | CHEVY GMC 60-66 | (18) | \$1.25 |
| 30-1059 | (13) | BOLT-FRONT FENDER | CHEVY GMC 60-66 | (6) | \$1.95 |
| 30-0228 | (14) | BOLT-FRONT FENDER | CHEVY GMC 60-66 | (6) | \$1.25 |
| 38-9078 | (15) | INNER FENDER-LH-PRIMED | CHEVY GMC 60-66 | (1) | \$134.95* |
| 38-9079 | | INNER FENDER-RH-PRIMED | CHEVY GMC 60-66 | (1) | \$125.95* |



| PART | ILL# | DESCRIPTION | APPLICATION | REQD | PRICE |
|-----------|------|------------------------|---------------------|------|----------|
| 30-0230 | (16) | BOLT-INNER FENDER | CHEVY GMC 60-66 | (18) | \$1.25 |
| 30-0228 | (17) | BOLT-INNER FENDER | CHEVY GMC 60-66 | (4) | \$1.25 |
| 40-0288-C | (18) | BOLT-INNER FENDER | CHEVY GMC 60-66 | (2) | \$1.25 |
| 40-0636-C | (19) | WASHER-INNER FENDER | CHEVY GMC 60-66 | (2) | \$.85 |
| 38-8970 | (20) | FILLER PANEL-LH | CHEVY GMC 60-66 | (1) | \$4.95 |
| 38-8971 | | FILLER PANEL-RH | CHEVY GMC 60-66 | (1) | \$4.95 |
| 30-0963 | (21) | BOLT-FILLER PANEL | CHEVY GMC 60-66 | (4) | \$.95 |
| 38-8980 | (22) | COWL PANEL-OUTER-LH | CHEVY GMC 60-66 | (1) | \$119.95 |
| 38-8981 | | COWL PANEL-OUTER-RH | "B" CHEVY GMC 60-66 | (1) | \$114.95 |
| 38-8993 | | COWL PANEL-OUTER-RH | "C" CHEVY GMC 60-66 | (1) | \$114.95 |
| 30-0230 | (23) | BOLT-COWL PANEL | CHEVY GMC 60-66 | (8) | \$1.25 |
| 38-9170-T | (24) | DOOR SHELL-LH | CHEVY GMC 64-66 | (1) | \$699.95 |
| 38-9171-T | | DOOR SHELL-RH | CHEVY GMC 64-66 | (1) | \$699.95 |
| 38-9050 | (25) | CAB CORNER-LH | CHEVY GMC 60-66 | (1) | \$10.75 |
| 38-9051 | | CAB CORNER-RH | CHEVY GMC 60-66 | (1) | \$10.75 |
| 38-9048 | (26) | OUTER ROCKER PANEL-LH | CHEVY GMC 60-66 | (1) | \$39.95 |
| 38-9049 | | OUTER ROCKER PANEL-RH | CHEVY GMC 60-66 | (1) | \$39.95 |
| 30-1952 | (27) | PLUG-ROCKER PNL ACCESS | CHEVY GMC 60-66 | (2) | \$.65 |

Note: "A" Fender is equipped with brace #38-9024 or #38-9025, see page 10.

Note: "B" With antenna hole.
"C" Without antenna hole.