

3" Body Lift Kit ... Makes Room for Larger Tires



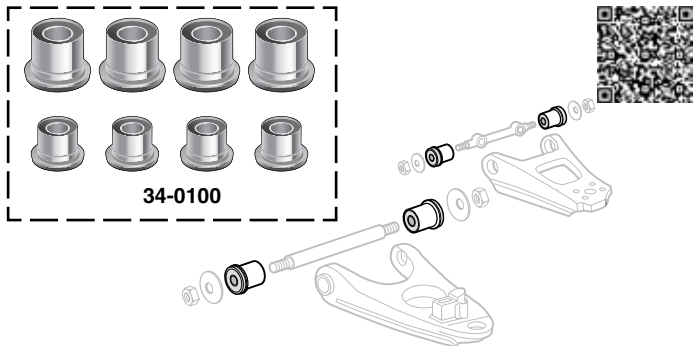
Read This: Installation of a body lift will change the center of gravity and the handling characteristics of the vehicle. Because of the higher center of gravity and larger tires, the vehicle will handle and react differently both on and off road. You must drive it safely! Extreme care must be taken to prevent vehicle rollover or loss of control, which could result in serious injury or death. Avoid sudden sharp turns or abrupt maneuvers and always make sure all vehicle occupants have their seat belts fastened.

A Body Lift spaces the body away from the frame to make room for larger tires without altering the suspension. Body Lift Kit includes reinforced nylon spacers, compression tested to 50,000 psi and plated grade 5 hardware.

Since the stock suspension is not affected, and larger tires are normally part of the plan, new shocks are recommended.

PART	DESCRIPTION	APPLICATION	REQD	PRICE
37-6532	3" BODY LIFT KIT	BLZ JIM 73-91	(1)	\$152.00

Polyurethane Control Arm Bushings



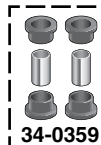
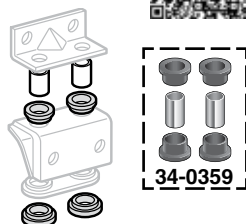
Front Control Arm Bushings are a must for increased control on cornering. Bushings come complete with plated outer shells and are pre-lubricated with a synthetic teflon compound that inhibits squeaks.

PART	DESCRIPTION	APPLICATION	REQD	PRICE
34-0100	BUSHING SET-FRT CONTROL ARM	2WD 1/2 73-91	(1)	\$124.91

Polyurethane Transfer Case Torque Mount Grommet Set

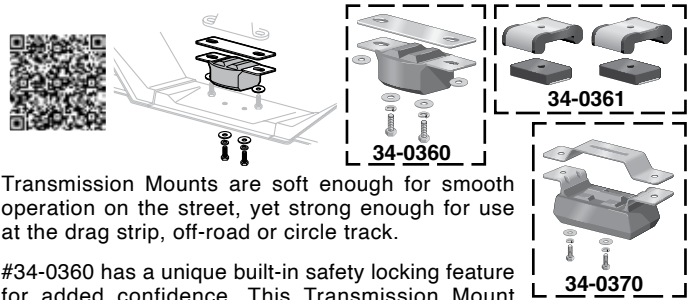
Four wheel drive Transfer Case Torque Mount Grommets reduce the deflection experienced with rubber bushings creating breakage and causing damage.

These mounts are also impervious to all undercarriage contaminants.



PART	DESCRIPTION	APPLICATION	REQD	PRICE
34-0359	GROMMET SET-TRANSFER CASE	4WD CHEVY GMC 73-75	(1)	\$24.55

Polyurethane Transmission Mounts

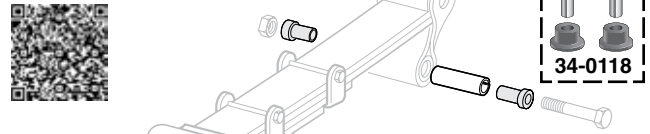


Transmission Mounts are soft enough for smooth operation on the street, yet strong enough for use at the drag strip, off-road or circle track.

#34-0360 has a unique built-in safety locking feature for added confidence. This Transmission Mount will work for vehicles that have a single stud that mounts to the crossmember or two studs that mount to the crossmember.

PART	DESCRIPTION	APPLICATION	REQD	PRICE
34-0360	TRANSMISSION MOUNT	2WD CHEVY GMC 73-91	(1)	\$33.55
34-0361	TRANSMISSION MOUNT	4WD CHEVY GMC 73-84	(1)	\$90.37
34-0370	TRANSMISSION MOUNT	4WD CHEVY GMC 85-91	(1)	\$97.40

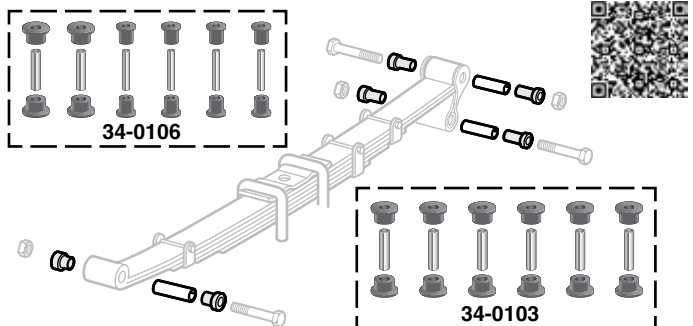
Polyurethane Front / Rear Frame Shackle Eye Bushing Set



Set contains four bushings and two sleeves. Improve your Suburban's suspension, call or go online and order today.

PART	DESCRIPTION	APPLICATION	REQD	PRICE
34-0107	BUSH SET-FRONT SHACKLE	4WD CHEVY GMC 73-91	(1)	\$21.56
34-0118	BUSH SET-RR SHACKLE 1-1/2" EYE	CHEVY GMC 73-91	(1)	\$19.95
34-0119	BUSH SET-RR SHACKLE 1-3/4" EYE	SUB 3/4 73-87	(1)	\$22.95

Polyurethane Leaf Spring Bushings



The combination of heavy-duty Leaf Springs and Polyurethane Spring Bushings allows proper suspension function in takeoff, cornering, braking and bumps. #34-0103 is for trucks with a 1-1/2" outer diameter frame shackle bushing and a 1-1/2" main eye bushing. #34-0104 is for trucks with a 1-1/2" outer diameter frame shackle bushing and a 1-3/4" main eye bushing. #34-0105 is for trucks with a 1-1/2" outer diameter frame shackle bushing and a 1-3/4" main eye bushing. #34-0106 is for trucks with a 1-1/2" outer diameter frame shackle bushing and a 1-3/4" main eye bushing. #34-0109 is for trucks with a 1-3/4" outer diameter frame shackle bushing. Please check yours before ordering.

PART	DESCRIPTION	APPLICATION	REQD	PRICE
Front Leaf Spring Bushing Set				
34-0106	BUSH SET-FRONT LEAF SPRING	4WD CHEVY GMC 73-87	(1)	\$57.65
34-0109	BUSH SET-FRONT LEAF SPRING	4WD BLZ JIM 88-91	(1)	\$50.95
Rear Leaf Spring Bushing Set				
34-0103	BUSH SET-REAR LEAF SPRING	2WD 1/2 73-91	(1)	\$54.95
34-0104	BUSH SET-REAR LEAF SPRING	2WD SUB 3/4 73-91	(1)	\$59.25
34-0105	BUSH SET-REAR LEAF SPRING	2WD SUB 3/4 73-91	(1)	\$59.95
34-0103	BUSH SET-REAR LEAF SPRING	4WD SUBURBAN 73-91	(1)	\$54.95
34-0104	BUSH SET-REAR LEAF SPRING	4WD SUB 3/4 73-91	(1)	\$59.25