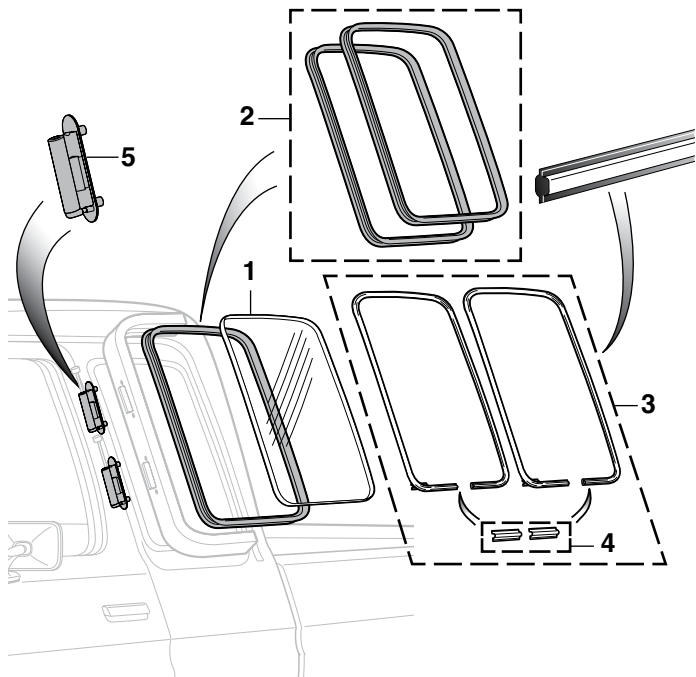


Side Window and Molding

1974-79 Super Cab

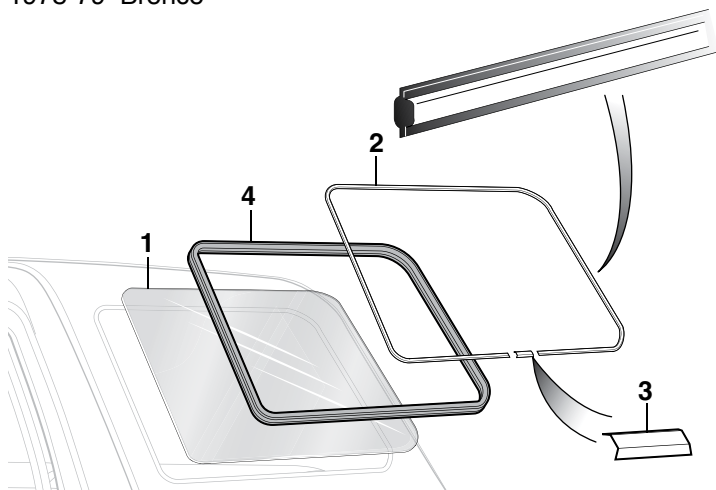


PART	ILL#	DESCRIPTION	APPLICATION	REQD	PRICE
49-7280	(1)	SIDE WNDW GLASS-CLEAR-LH"A"	SUPER CAB 74-79	(1)	\$17.95
49-7281		SIDE WNDW GLASS-CLEAR-RH"A"	SUPER CAB 74-79	(1)	\$17.95
49-7282		SIDE WNDW GLASS-TINT-LH "A"	SUPER CAB 74-79	(1)	\$17.95
49-7283		SIDE WNDW GLASS-TINT-RH "A"	SUPER CAB 74-79	(1)	\$17.95
49-9242	(2)	SIDE WINDOW SEAL SET "A"B"	SUPER CAB 74-79	(1)	\$39.95
49-9243		SIDE WINDOW SEAL SET "A"C"	SUPER CAB 74-77	(1)	\$29.45
49-9244		SIDE WINDOW SEAL SET "A"D"	SUPER CAB 77-79	(1)	\$44.95
49-9245		SIDE WINDOW SEAL SET "E"	SUPER CAB 74-79	(1)	\$59.95
Flexible Chrome Trim Set #49-2720 is not original equipment for 1974-76 but can be used if #49-9244 Side Window Seal Set is purchased.					
49-2720	(3)	FLEXIBLE CHROME TRIM SET"F"	SUPER CAB 77-79	(1)	\$16.95
49-2719	(4)	MOLDING JOINT COVER SET	SUPER CAB 77-79	(1)	\$2.95
49-2721	(5)	RETAINER-WINDOW HINGE	SUPER CAB 74-79	(4)	\$14.95

Note: "A" For stationary window.
 "B" Without groove for chrome trim.
 "C" With groove for wide molded chrome trim.
 "D" With groove for flexible chrome trim.
 "E" For moveable window.
 "F" Must be sized and cut to fit. One set does both windows.

Side Window and Molding

1978-79 Bronco



PART	ILL#	DESCRIPTION	APPLICATION	REQD	PRICE
49-9784	(1)	SIDE GLASS-LH-CLEAR	BRONCO 78-79	(1)	\$109.95
49-9785		SIDE GLASS-RH-CLEAR	BRONCO 78-79	(1)	\$109.95
49-9786		SIDE GLASS-LH-GREEN TINTED	BRONCO 78-79	(1)	\$104.95
49-9787		SIDE GLASS-RH-GREEN TINTED	BRONCO 78-79	(1)	\$104.95
49-2718	(2)	FLEXIBLE CHROME TRIM "A"	BRONCO 78-79	(2)	\$15.95
49-2699	(3)	MOLDING JOINT COVER	BRONCO 78-79	(2)	\$1.25
49-9416	(4)	BODY SIDE WINDOW SEAL "B"	BRONCO 78-79	(2)	\$32.95
49-9417		BODY SIDE WINDOW SEAL "C"	BRONCO 78-79	(2)	\$74.95

Note: "A" Must be sized and cut to fit.
 "B" Without groove for flexible chrome trim. Not for use on models equipped with original sliding windows or dark tinted one-way glass.
 "C" With groove for flexible chrome trim. Not for use on models equipped with original sliding windows or dark tinted one-way glass.

Glass Tools



38-0796-F

Windshield Stick A glass installer's most useful tool! Can be used to install or remove windows or window rubber. This plastic tool measures 8" in length for an easy grip.

PART	DESCRIPTION	PRICE
38-0796-F	WINDSHIELD STICK	\$.99



38-0763-F

Hook Tool helps remove and install rubber mounted glass. The tool has an angled end for easier fitting of the glass inside the rubber seal. Features a round steel ball on the tip to protect against damage to the rubber seal, glass and painted surfaces.

PART	DESCRIPTION	PRICE
38-0763-F	HOOK TOOL	\$7.95



38-0762-F

Rope-In Tool inserts 1/4" diameter nylon rope through its stem and seats it in the groove of the seal as it is pulled around the perimeter of the seal. With the glass properly positioned on the vehicle, simply pull the rope and the seal then pops over the pinchweld to hold the glass firmly in place. Includes enough rope to fit around even the largest truck windows.

PART	DESCRIPTION	PRICE
38-0762-F	ROPE-IN TOOL	\$12.95