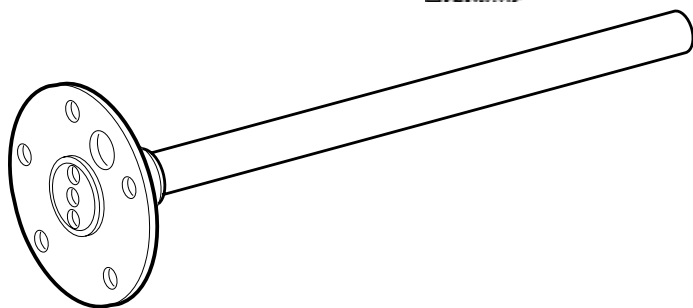


Rear Axle Shaft

1980-96 F100 F150 Bronco



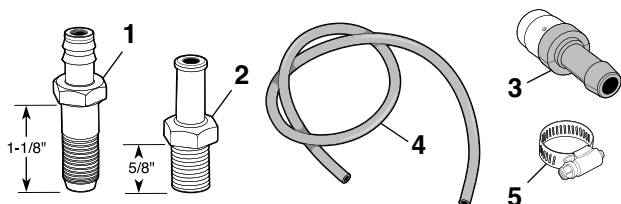
Axle Shaft Specifications

45-1720	31 Spline x 31-27/32" OL 5 Lug	10 Bolt x 9" Ring Gear 2/4WD
45-1722	31 Spline x 33-3/16" OL 5 Lug	10 Bolt x 8.8" Ring Gear 2/4WD
45-1726	31 Spline x 33-3/16" OL 5 Lug	10 Bolt x 8.8" Ring Gear 2/4WD
45-1727	31 Spline x 31-1/16" OL 5 Lug	10 Bolt x 8.8" Ring Gear 2/4WD

PART	DESCRIPTION	APPLICATION	REQD	PRICE
45-1720	REAR AXLE SHAFT 9" RG	80-86	(2)	\$107.95
45-1722	REAR AXLE SHAFT-LH 8.8" RG	83-86	(1)	\$89.95
45-1726	REAR AXLE SHAFT-LH 8.8" RG	87-96	(1)	\$97.95
45-1727	REAR AXLE SHAFT-RH 8.8" RG	87-96	(1)	\$93.75

Rear Axle Breather Vent

1980-96 F100 F150 F250 F350
1980-96 Bronco



PART	ILL#	DESCRIPTION	APPLICATION	REQD	PRICE
45-1740	(1)	REAR AXLE BREATHER VENT 1-1/8"	80-96	(1)	\$9.95
45-1741	(2)	REAR AXLE BREATHER VENT "A" 5/8"	80-96	(1)	\$19.46
45-1742	(3)	DIFFERENTIAL VENT BREATHER	80-96	(1)	\$7.55
32-1941-F	(4)	AXLE VENT HOSE CUT TO FIT 4 FEET	80-96	(1)	\$9.95
30-3410-F	(5)	HOSE CLAMP	80-96	(1)	\$1.95

Note: "A" For trucks not holding original brake hose to the axle.

Driveshaft Flange Bolt Set

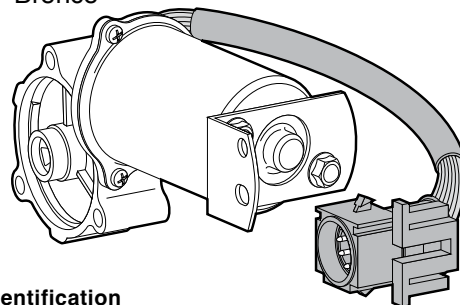


This carbon steel Driveshaft Flange Bolt Set is a direct replacement for the OE driveshaft flange bolts that have been lost or damaged. Driveshaft flange bolts are coated with thread sealer to prevent loss due to vibration. Sold as a set of four.

PART	DESCRIPTION	APPLICATION	REQD	PRICE
40-0747	DRIVESHAFT FLANGE BOLT SET	F-SERIES 80-96	(1)	\$16.95

Transfer Case Motor

1987-96 F150 Bronco



Transfer Case Identification

All Transfer Cases have an assembly tag attached to their case. The tag may be a bolted, riveted or screwed on metal tag, or a stick-on paper tag. The Transfer Case must be identified by the assembly number listed on the tag.

PART	DESCRIPTION	APPLICATION	REQD	PRICE
43-7449	CASE MOTOR BORG WARNER 1356	87-90	(1)	\$89.95
43-7450	CASE MOTOR BORG WARNER 1356	91-96	(1)	\$110.39

Flip Socket Set



Flip Socket Set includes a comprehensive selection of reversible 1/2" drive sockets for a variety of lug nut sizes. The four piece set includes 3/4", 13/16", 7/8", 15/16", 19mm, and 21mm sockets and a 1/2" extension in a molded carrying case.

PART	DESCRIPTION	APPLICATION	REQD	PRICE
38-1378-F	FLIP SOCKET SET-4PC W/CASE	1/2" DRIVE		\$48.95

www.LMC TRUCK.com

Shop Online - Online Catalogs - 24/7

Fast, Simple, Safe!

