



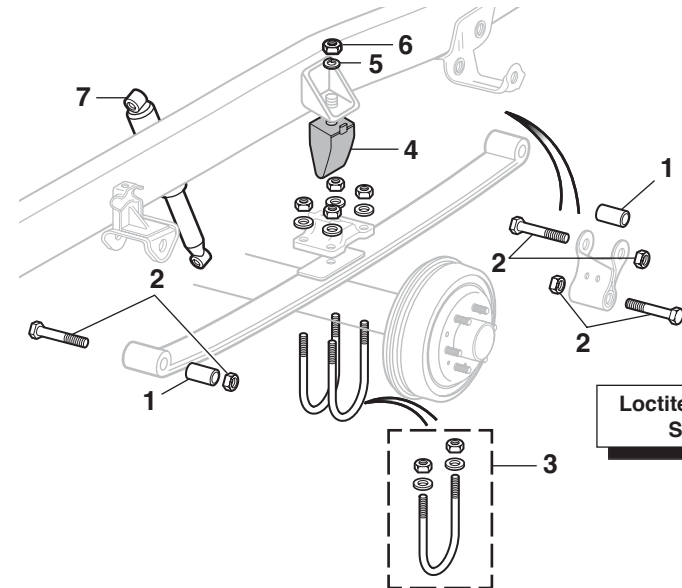
Shock Absorbers ... Driving Control, Even Ride and Performance Handling

Gas-A-Just Shock Absorbers: Features higher gas pressure to provide unsurpassed control on even the most demanding roads. Eliminates the age old problem of performance fade by eliminating aeration and foaming, a problem with other shocks that use two-tube construction that allows air to mix with fluid.

GR-2 Gas Shock Absorbers: Features lower pressure for riding comfort with improved handling and response only gas shocks can provide at an economical price. The economical way to step up from hydraulic shocks to the quality ride and control of gas.

Rear Suspension - 4 Wheel Drive

1967-68 Chevy Truck, Suburban
1967-68 GMC Truck, Suburban

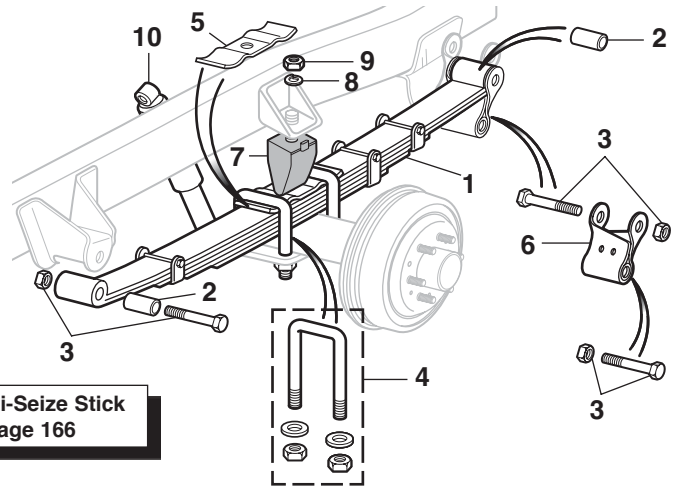


| PART | ILL# | DESCRIPTION | APPLICATION | REQD | PRICE |
|---------|------|-------------------------------|-------------|------|---------|
| 34-1373 | (1) | SPRING EYE BUSHING | 4WD 67-68 | (4) | \$9.95 |
| 30-0346 | (2) | SPRING EYE BOLT & NUT | 4WD 67-68 | (6) | \$3.95 |
| 30-0383 | (3) | U-BOLT USE WITH 4 LEAF SPRING | | (4) | \$12.95 |
| 30-0398 | (3) | U-BOLT USE WITH 5 LEAF SPRING | | (4) | \$14.95 |
| 30-1892 | (4) | BUMPER-LEAF SPRING | 4WD 67-68 | (2) | \$9.95 |
| 30-0646 | (5) | LOCK WASHER | 4WD 67-68 | (2) | \$.25 |
| 30-0836 | (6) | NUT | 4WD 67-68 | (2) | \$.65 |
| 38-1697 | (7) | REAR SHOCK-KYB GAS-A-JUST | 4WD 67-68 | (2) | \$49.95 |

Loctite Anti-Seize Stick
See Page 166

Rear Suspension - 4 Wheel Drive

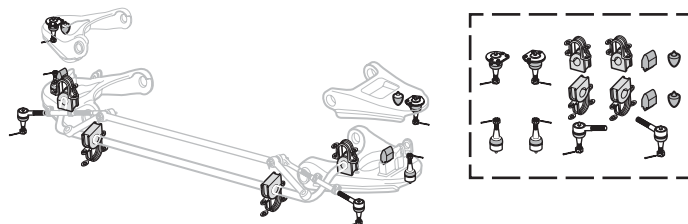
1969-72 Chevy Truck, Blazer, Suburban
1969-72 GMC Truck, Jimmy, Suburban



| PART | ILL# | DESCRIPTION | APPLICATION | REQD | PRICE |
|---------|------|--|-------------|------|----------|
| 34-2959 | (1) | REAR LEAF SPRING 5 LEAF WITH SPRING EYE BUSHINGS | 4WD 69-72 | (2) | \$249.95 |
| 34-1374 | (2) | SPRING EYE BUSHING | 4WD 69-72 | (4) | \$11.95 |
| 30-0346 | (3) | SPRING EYE BOLT & NUT | 4WD 69-72 | (6) | \$3.95 |
| 30-0399 | (4) | U-BOLT W/WASHERS & NUTS | 4WD 69-72 | (4) | \$14.95 |
| 34-1528 | (5) | SPACER | 4WD 69-72 | (2) | \$9.95 |
| 34-0036 | (6) | SHACKLE ASSEMBLY | 4WD 69-72 | (2) | \$14.95 |
| 30-1892 | (7) | BUMPER-LEAF SPRING | 4WD 69-72 | (2) | \$9.95 |
| 30-0646 | (8) | LOCK WASHER | 4WD 69-72 | (2) | \$.25 |
| 30-0836 | (9) | NUT | 4WD 69-72 | (2) | \$.65 |
| 38-1697 | (10) | REAR SHOCK-KYB GAS-A-JUST | 4WD 69-72 | (2) | \$49.95 |

Front End Suspension Kit

1967-72 Chevy Truck, Blazer, Suburban
1967-72 GMC Truck, Jimmy, Suburban



Front End Suspension Kit saves money and provides better handling and a smoother ride.

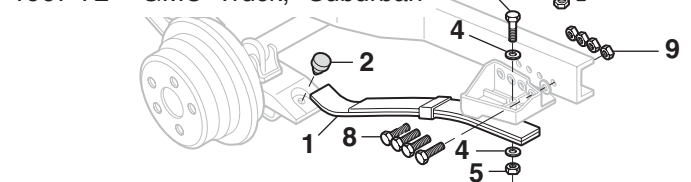
Kit contains:

- 1 Polyurethane Sway Bar Bushing Set
- 2 Upper Ball Joints
- 2 Upper A-Arm Rubber Bumpers
- 2 Lower Ball Joints
- 2 Lower A-Arm Rubber Bumpers
- 2 Outer Tie Rod Ends

| PART | DESCRIPTION | APPLICATION | REQD | PRICE |
|---------|--------------------------|----------------|------|----------|
| 34-9020 | FRONT END SUSPENSION KIT | 2WD 1/2T 67-70 | (1) | \$149.95 |
| 34-9021 | FRONT END SUSPENSION KIT | 2WD 1/2T 71-72 | (1) | \$149.95 |

Auxiliary Leaf Spring

1967-72 Chevy Truck, Suburban
1967-72 GMC Truck, Suburban



| PART | ILL# | DESCRIPTION | APPLICATION | REQD | PRICE |
|---------|------|------------------------|-------------|------|----------|
| 34-2950 | (1) | AUX LEAF SPRING 2 LEAF | 2WD 67-72 | (2) | \$239.95 |
| 30-1827 | (2) | RUBBER BUMPER | 2WD 67-72 | (2) | \$4.95 |
| 30-0261 | (3) | BOLT-SPRING/BACKET | 2WD 67-72 | (2) | \$1.95 |
| 30-0621 | (4) | FLAT WASHER | 2WD 67-72 | (4) | \$.95 |
| 30-0940 | (5) | TORQUE LOCK NUT | 2WD 67-72 | (2) | \$.95 |
| 30-0244 | (6) | BOLT-BRACKET/FRAME | 2WD 67-72 | (4) | \$1.45 |
| 30-0808 | (7) | TORQUE LOCK NUT | 2WD 67-72 | (4) | \$.95 |
| 30-0257 | (8) | BOLT-BRACKET/FRAME "A" | 2WD 67-72 | (8) | \$.95 |
| 30-0259 | (8) | BOLT-BRACKET/FRAME "B" | 2WD 67-72 | (8) | \$.95 |
| 30-0808 | (9) | TORQUE LOCK NUT | 2WD 67-72 | (8) | \$.95 |

Note: "A" Trucks without step bumper.
"B" Trucks with step bumper.